

HWT-D2120-10-SIU

1T 2MP AI IR Bullet Camera



Features

- ▶ 1TOPS computing power
- ▶ Supports multi-algorithm switchover, behavior analysis, crowd flow analysis, target and person detection, object (motor vehicle, non-motorized vehicle, and pedestrian) classification, vehicle recognition, vehicle event detection, and traffic flow statistics
- ▶ Supports backlight adaptation and overcast adaptation
- ▶ 1/2.7" CMOS sensor
- ▶ Online loading and upgrade of algorithms
- ▶ 120 dB super wide dynamic range (WDR), ensuring that both foreground and background objects are clearly identified in environments with sharp light contrast
- ▶ Supports switchover among multiple algorithms

Technical Specifications

Model		HWT-D2120-10-SIU			
Major Specifications					
Main control	Computing power	1TOPS			
	Memory	DDR3 0.5 GB			
	Flash type	SPI NAND FLASH 512.0 MB			
	Max capacity	MicroSD card slot that supports microSDHC/microSDXC; maximum memory card capacity: 256 GB			
Camera	Focal length	2.8-12mm			
	Max Aperture	F1.6(W)-F3.2(T)			
	Image sensor	1/2.7" CMOS/2MP 1920(H)*1080(V)			
	Lens aperture type	Fixed iris			
	Angle of view	W ≥:Horizontal98°; T ≤:Horizontal33°.			
	IR range	50m			
	Digital Zoom/Optical Zoom	16X/4x			
	DORI (Complied to the EN 62676-4)		D(m)	O(m)	R(m)
W	37.3	15.1	7.5	3.7	
T	160.0	64.5	32.0	16.0	
Intelligence					
Target/Body	Target	Target detection/Target attribute recognition			
	Target recognition	Supported			
	Person	Person detection			
Vehicle	Vehicle analysis	Vehicle color/Vehicle type/Vehicle model			
	Traffic flow statistics	Motor vehicle/Non-motorized vehicle/Pedestrian			
Other intelligences	Behavior analysis	Fast movement/Tripwire crossing/Intrusion/Area entry or exit /Loitering/Battery Vehicle Detection			
	Crowd flow analysis	Queue length/Head counting/Crowd flow statistics			
	Non-motorized vehicle	Supported			
	Multi-algorithm switchover	Supported			
	Defocus	Supported			
	Alarm information	No SD card; SD card full; SD card error; Network disconnection; Defocus detection; IP Address Conflict Detection			
Open ecosystem					
Algorithm openness	Open OS	Supported			
Data openness	Data openness	SDK (proprietary protocol)/REST API (proprietary protocol)/GA/T 1400/GB/T 28181 (2011, 2016)/ONVIF Profile S/G/T			
Image					
Codec	Video encoding format	MJPEG/H.264/H.265			
	Video encoding channels	Triple streams			
	Intelligent encoding	Extra265/264			
	Video frame rate	60/50/Configurable (25 fps or 30 fps)			

Image AI	Scene adaptation	Backlight adaptation/Overcast adaptation
Image ISP	Min illumination	Color: 0.002 lux (F1.6, AGC ON); B/W: 0.0001 lux (F1.6, AGC ON) or 0 lux (infrared illuminator enabled)
	Day/Night mode	Supported; automatic (ICR), color, B/W, and scheduled (default: automatic) Sensitivity level: high (default), medium, and low Image triggering/Internal triggering
	WDR	120db
	White balance	Auto/Manual/OnePush
	HLC/BLC	Supported/Supported
	Digital noise reduction	2D/3D noise reduction
	Shutter speed	The 1/3s to 1/68250s drop-down list box is added. The time can be manually set to 1/3, 1/4, 1/8, 1/12, or 1/15. Non-slow shutter level: 1/25,1/30,1/50,1/60,1/90,1/100,1/120,1/125,1/180,1/250,1/350,,1/500,1/725,1/1000,1/1500,1/2000,1/3000,1/4000,1/6000,1/10000,1/30000,1/100000; The default value is 1/100 for face checkpoint mode, 1/250 for micro checkpoint mode, and 1/25 for behavior analysis.
	Signal-to-Noise Ratio(SNR)	>45dB
	Primary stream resolution	1920×1080(1080P),1280×720(720P)
	Secondary stream resolution	Secondary stream 1:1920 x 1080 (1080p), 1280 x 720 (720p), 720 x 576 (PAL), 720 x 480 (NTSC) Secondary stream 2:720 x 576 (PAL), 720 x 480 (NTSC), 352 x 288 (PAL), 352 x 240 (NTSC)
Video bit rate	Only for H.264 and H.265 1080P-4K 512Kbps - 16Mbps 720P 384Kbps - 8Mbps D1 256K - 4Mbps CIF 32K - 1Mbps	
Smart Illumination	Not Supported	
Optical Defogging/Algorithm-assisted Defogging	Supported/Not Supported	
EIS	Supported; Sensitivity levels are not supported.	

Audio		
Audio	Audio Encoding Format	G.711a/G.711u/G.726/OPUS
	Audio sampling rate	G.711a/G.711u/G.726:8K OPUS:8K/12K/16K/24K/48K
	Audio bit rate	G.711a/G.711u:64kbps G.726:16 kbit/s, 24 kbit/s, 32 kbit/s, or 40 kbit/s 16/24/32/40/64/96/128/160/192/224/256/288Kbps: configurable

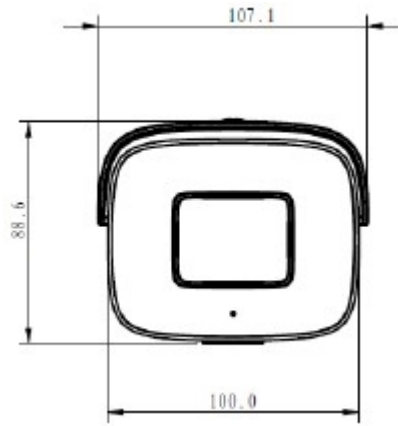
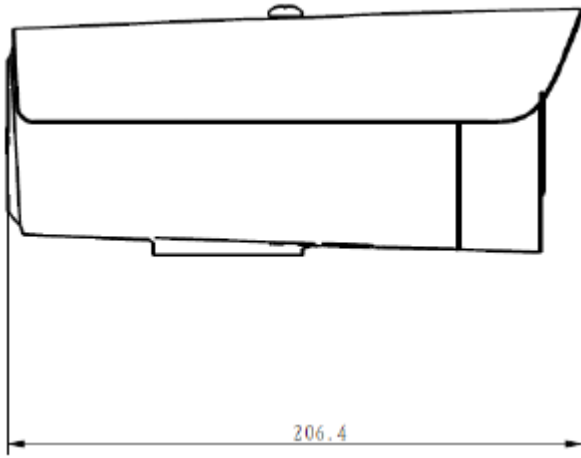
Networking		
Network transmission	Protocols supported by IPv4	TCP, UDP, IPv4, DHCP, DNS, ICMP, IGMP, HTTPS, FTP, SFTP, RTP, RTSP, RTCP, SIP, ARP, SSL, NTP, SNMP (V1/V2/V3), 802.1X, QoS, SMTP, and PPPoE. Note: The northbound protocol needs to adapt to the PPPoE dialup scenario.
	Protocols supported by IPv6	HTTPS,RTP,RTCP,RTSP,Onvif,IPv6,ICMPv6,DHCPv6

Security		
Data security	Media security	Supports web- or SDK-based media stream encryption; supports a maximum of two channels of encrypted media streams; media stream encryption and full intelligence, target recognition, or image upload through SFTP/FTP cannot be enabled at the same time; after the intelligent analysis function is enabled, only one-channel stream encryption is supported; supports encrypted data storage on SD cards.
	Video digital watermark	Supported
	Image digital watermark	Supported
Service security	User rights	Three user roles: administrator, advanced operator, and common operator
	Security mode	User name and password authentication, 802.1X authentication, and HTTPS digital certificate
	Secure boot	Supported
	System intrusion detection	Supported

Port	
Storage port	MicroSD card slot that supports microSDHC/microSDXC; maximum memory card capacity: 256 GB
Alarm port	2 input port and 1 output port
Network port	One RJ45 10M/100M adaptive Ethernet port
Communication serial port	RS-485 port
Audio port	Supported (one-channel LINE IN or one-channel external MIC)/Supported (one-channel LINE OUT)

General Specifications	
Power type	DC12V,PoE(IEEE 802.3af)
Power consumption	Maximum:12.2W,typical:3.2W
Operating temperature	-30°C to 55°C
Operating humidity	5% to 95%(non-condensing)
Surge protection	4kV
IP rating	IP67
Equipment Anti Corrosion	Class C corrosion resistance
Weight	Net weight 1.0kg;Gross weight 1.2kg
Dimensions	Device dimensions 88mm×107mm×206mm;Package dimensions 115mm×140mm×297mm

Dimensions



Recommended Accessories



ACC3217



ACC3285



ACC3233

HOLOWITS Contact

Address : 6 Temasek Boulevard, 29th Floor, Suntec Tower Four, Singapore
038986

Web : www.hollowits.com

Copyright 2022. All rights reserved © HOLOWITS TECHNOLOGIES PTE. LTD.
No part of this document may be reproduced or transmitted in any form or by any means without prior written consent of HOLOWITS TECHNOLOGIES PTE. LTD.

General Disclaimer

The information in this document may contain predictive statements including, without limitation, statements regarding the future financial and operating results, future product portfolio, new technology, etc. There are a number of factors that could cause actual results and developments to differ materially from those expressed or implied in the predictive statements. Therefore, such information is provided for reference purposes only and constitutes neither an offer nor an acceptance. HOLOWITS may change the information at any time without notice.



Product selector

Scan the QR code on the right to view and compare specifications of HOLOWITS products and select the best camera for you.