

HWT-D3220-10-I -P(2.8mm)

1T 2MP AI IR Fixed Dome Camera

Indoor Application



Features

- ▶ 1TOPS computing power
- ▶ Supports behavior analysis, crowd flow analysis, target detection, and person detection
- ▶ 1/2.7" CMOS sensor
- ▶ 120 dB super wide dynamic range (WDR), ensuring that both foreground and background objects are clearly identified in environments with sharp light contrast

Technical Specifications

Model		HWT-D3220-10-I-P(2.8mm)				
Major Specifications						
Main control	Computing power	1TOPS				
	Memory	DDR3 0.25 GB				
	Flash type	SPI NAND Flash 256.0 MB				
	Max capacity	MicroSD card slot that supports microSDHC/microSDXC; maximum memory card capacity: 256 GB				
Camera	Focal length	2.8mm				
	Max Aperture	F1.6				
	Image sensor	1/2.7" CMOS/2MP 1920(H)*1080(V)				
	Lens aperture type	Fixed iris				
	Angle of view	Horizontal: 107°; vertical: 56.8°				
	IR range	30m				
	Digital Zoom	Not Supported				
	DORI (Complied to the EN 62676-4)	W	D(m)	O(m)	R(m)	I(m)
		37.3	15.1	7.5	3.7	
	Not					
Target/Body	Target	Target detection				
	Person	Person detection				
Other intelligences	Behavior analysis	Fast movement/Tripwire crossing/Intrusion/Area entry or exit /Loitering				
	Crowd flow analysis	Queue length/Head counting/Crowd flow statistics				
	Defocus	Supported				
	Alarm information	No SD card; SD card full; SD card error; Network disconnection; Defocus detection; IP Address Conflict Detection				
Open ecosystem						
Data openness	Data openness	SDK (proprietary protocol)/REST API (proprietary protocol)/GA/T 1400/GB/T 28181 (2011, 2016)/ONVIF Profile S/G/T				
Image						
Codec	Video encoding format	MJPEG/H.264/H.265				
	Video encoding channels	Triple streams				
	Intelligent encoding	Extra265/264				
	Video frame rate	Configurable (25 fps or 30 fps)				
Image ISP	Min illumination	Color: 0.002 lux (F1.6, AGC ON); B/W: 0.001 lux (F1.6, AGC ON) or 0 lux (infrared illuminator enabled)				
	Day/Night mode	Supported; automatic (ICR)/Color/B/W (default: automatic) Sensitivity level: high (default), medium, and low Image triggering /Internal triggering				
	WDR	120 dB				
	White balance	Auto/Manual/OnePush				
	HLC/BLC	Supported/Supported				
	Digital noise reduction	2D/3D noise reduction				

	Shutter speed	1/3s to 1/68250s: 1/3, 1/4, 1/8, 1/12, 1/15; Non-slow shutter level: 1/25,1/30,1/50,1/60,1/90,1/100,1/120,1/125,1/180,1/250,1/350,,1/500,1/725,1/1000,1/1500,1/2000,1/3000,1/4000,1/6000,1/10000,1/30000,1/100000;; Default value: 1/25
	Signal-to-Noise Ratio(SNR)	>45dB
	Primary stream resolution	1920×1080(1080P),1280×720(720P)
	Secondary stream resolution	Secondary stream 1:1920 x 1080 (1080p), 1280 x 720 (720p), 720 x 576 (PAL), 720 x 480 (NTSC) Secondary stream 2:720 x 576 (PAL), 720 x 480 (NTSC), 352 x 288 (PAL), 352 x 240 (NTSC)
	Video bit rate	Only for H.264 and H.265 1080P-4K 512Kbps - 8Mbps 720P 384Kbps -4Mbps D1 256K - 4Mbps CIF 32K - 1Mbps
	Smart Illumination	Not Supported/
	Optical Defogging/Algorithm-assisted Defogging	Not Supported/Supported
	EIS	Not supported; Sensitivity levels are not supported.

Audio		
Audio	Audio Encoding Format	G.711a/G.711u/G.726/OPUS
	Audio sampling rate	G.711a/G.711u/G.726:8K OPUS:8K/12K/16K/24K/48K
	Audio bit rate	G.711a/G.711u:64kbps G.726:16 kbit/s, 24 kbit/s, 32 kbit/s, or 40 kbit/s 16/24/32/40/64/96/128/160/192/224/256/288Kbps: configurable

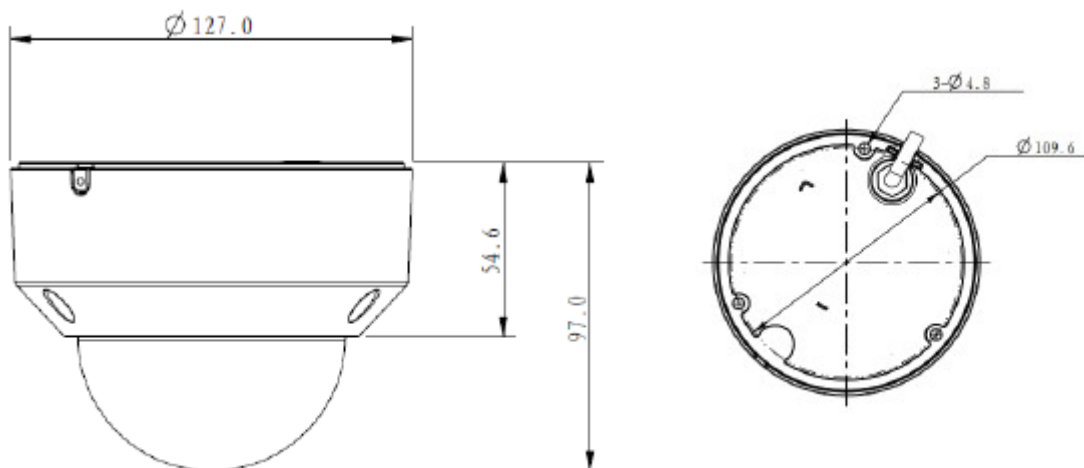
Networking		
Network transmission	Protocols supported by IPv4	TCP, UDP, IPv4, DHCP, DNS, ICMP, IGMP, HTTPS, FTP, SFTP, RTP, RTSP, RTCP, SIP, ARP, SSL, NTP, SNMP (V1/V2/V3), 802.1x, QoS, SMTP, and PPPoE. Note: The northbound protocol needs to adapt to the PPPoE dialup scenario.
	Protocols supported by IPv6	HTTPS,RTP,RTCP,RTSP,Onvif,IPv6,ICMPv6,DHCPv6

Security		
Data security	Media security	Supports web- or SDK-based media stream encryption; supports a maximum of two channels of encrypted media streams; supports encrypted data storage on SD cards
Service security	User rights	Three user roles: administrator, advanced operator, and common operator
	Security mode	User name and password authentication, 802.1X authentication, and HTTPS digital certificate
	Secure boot	Supported

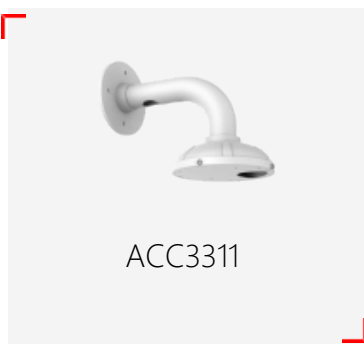
Port	
Storage port	MicroSD card slot that supports microSDHC/microSDXC; maximum memory card capacity: 256 GB
Network port	One RJ45 10M/100M adaptive Ethernet port
Audio port	Supported (one-channel built-in MIC)

General Specifications	
Power type	12 V DC and PoE (IEEE 802.3af)
Power consumption	Maximum: 6 W; typical: 3.3 W
Operating temperature	-30°C to +60°C
Operating humidity	5% to 95% (non-condensing)
Surge protection	4 kV
IP rating	IP67
Equipment Anti Corrosion	Class C corrosion resistance
IK rating	IK10
Weight	Net weight 0.8 kg;Gross weight 1kg
Dimensions	Device dimensions $\varnothing 127$ mm x 97 mm;Package dimensions 112 mm x 147 mm x 147 mm

Dimensions



Recommended Accessories



HOLOWITS Contact

Address : 6 Temasek Boulevard, 29th Floor, Suntec Tower Four, Singapore
038986

Web : www.hollowits.com

Copyright 2022. All rights reserved © HOLOWITS TECHNOLOGIES PTE. LTD.
No part of this document may be reproduced or transmitted in any form or by any means without prior written consent of HOLOWITS TECHNOLOGIES PTE. LTD.

General Disclaimer

The information in this document may contain predictive statements including, without limitation, statements regarding the future financial and operating results, future product portfolio, new technology, etc. There are a number of factors that could cause actual results and developments to differ materially from those expressed or implied in the predictive statements. Therefore, such information is provided for reference purposes only and constitutes neither an offer nor an acceptance. HOLOWITS may change the information at any time without notice.



Product selector

Scan the QR code on the right to view and compare specifications of HOLOWITS products and select the best camera for you.